



# YKT CENTRIFUGAL SLURRY PUMPS



**TÜFEKÇİOĞLU**

RUBBER & MACHINERY

[www.tk.com.tr](http://www.tk.com.tr)

# YKT Centrifugal Slurry Pumps

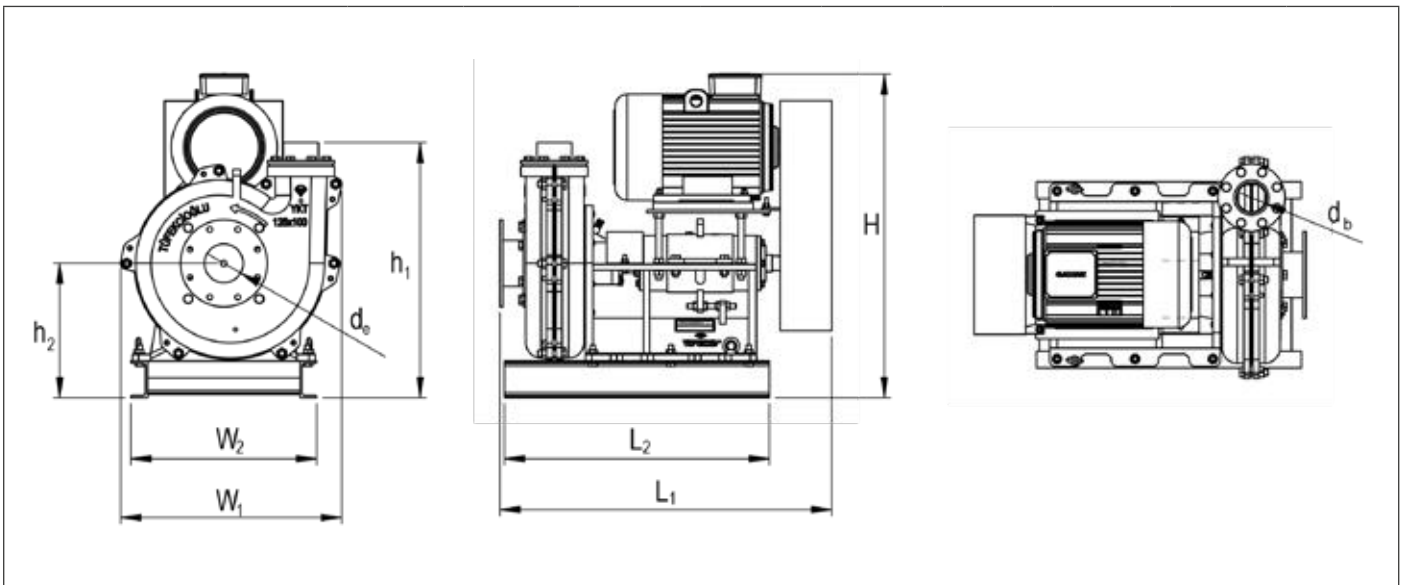
The casing and impellers of Patented Tufekcioglu slurry pumps are generally lined with rubber and polyurethane which are resistant to quick wear. High strength steel cast (Ni-Hard) impeller applications suitable for high speeds at big heads and high flow rates are supplied on request.

Tufekçiöğlü Patented Pumps are trouble free and have long life with sturdy bearing housing, overload resilient bearings and high safety shaft-rotor assembly.

Correct, fast and easy adjustment is provided for impeller and casing clearance by designing an axial sliding feature for bearing housing on the base.

Pumps are protected against overloading and knocks by right weight cast iron base designed to absorb vibrations and V-belt/pulley coupling.

Owing to the two pieces pump casing design, the rubber casing liner and pump impeller can be replaced easily in a short time. This can also be achieved without pump casing being dismantled with the optional sliding steel chassis under the pump base.

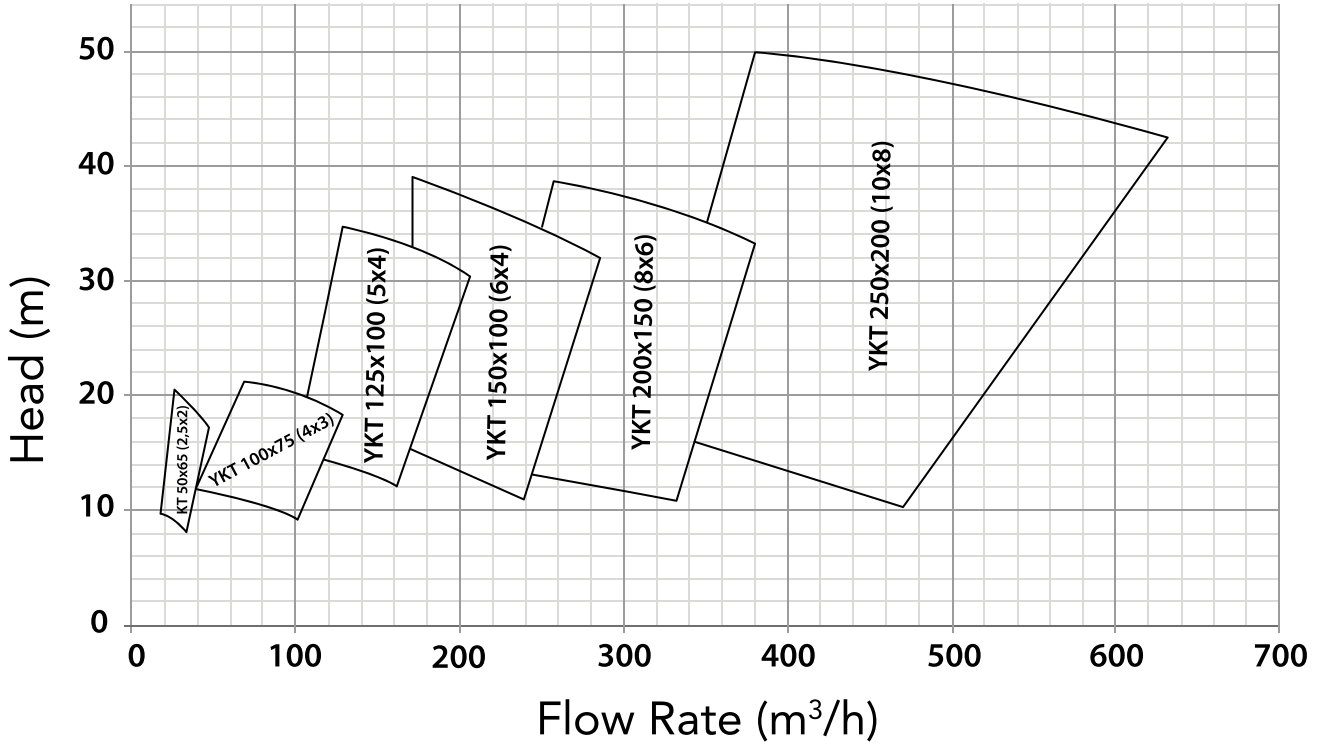


## VERTICAL SLURRY PUMPS

mm/inch	H	L <sub>1</sub>	W <sub>1</sub>	W <sub>2</sub>	h <sub>1</sub>	h <sub>2</sub>	L <sub>2</sub>	d <sub>e</sub>	d <sub>b</sub>
KT 32x38 (1,5x1,25)	800	760	425	425	600	350	630	38	32
YKT 65x50 (2,5x2)	829	850	520	500	670	350	625	65	50
YKT 100x75 (4x3)	1030	1080	620	610	765	440	870	100	75
YKT 125x100 (5x4)	1061	1075	730	610	835	440	870	125	100
YKT 150x100 (6x4)	1316	1100	780	690	915	495	870	150	100
YKT 200x150 (8x6)	1550	1520	1025	960	1260	690	1270	200	150
YKT 250x200 (10x8)	1550	1560	1220	960	1340	690	1270	250	200

\* Motor power is subject to change as to plant conditions.

## YKT Pumps Flow Rate-Head Relation



# SPECIFICATIONS

- Standard connection flanges EN 1092-1 PN0-10
- 24-hour non-stop operation
- Easy maintenance
- Prompt supply of high quality and reasonably priced spare parts (rubber or Ni-Hard)

*Note for User:* The spare parts for KT pumps which were produced before YKT pumps, are still supplied if requested.

NEW TYPE IMPELLER

NEW TYPE IMPELLER



NEW TYPE VOLUTE

NEW TYPE PUMP LINING





**TÜFEKÇİOĞLU**

RUBBER & MACHINERY

1. Organize Sanayi Bölgesi, Avar Caddesi No:6, 06935 Sincan / ANKARA  
Tel: +90 312 267 10 90 | Fax: +90 312 267 10 94 | E-mail: info@tk.com.tr

[www.tk.com.tr](http://www.tk.com.tr)